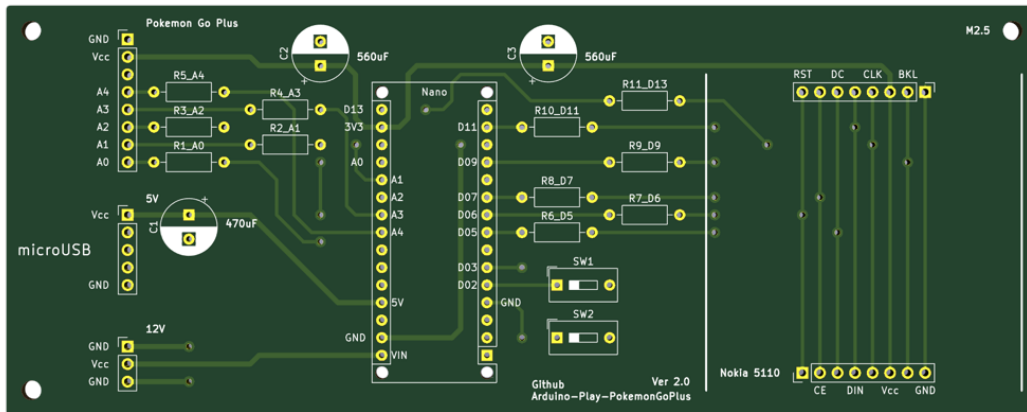
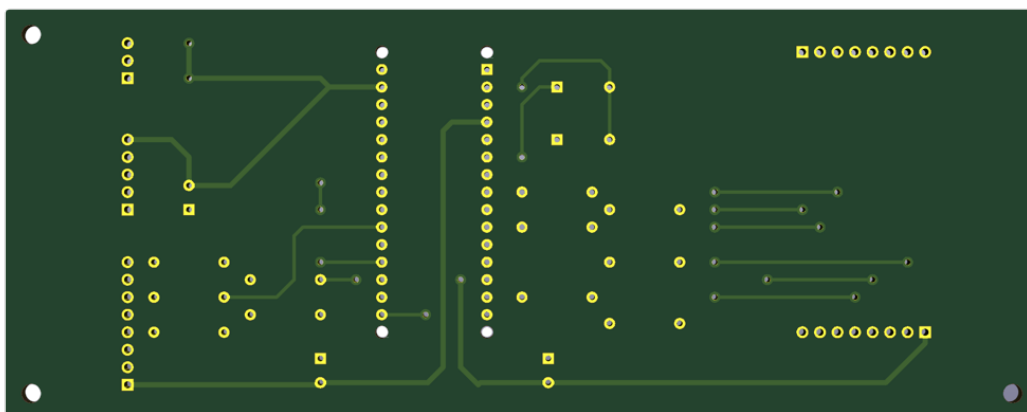


# Arduino Play Pokemon Go Plus

Arduino Nano V3.x



FOR ARDUINO NANO VER 3.X



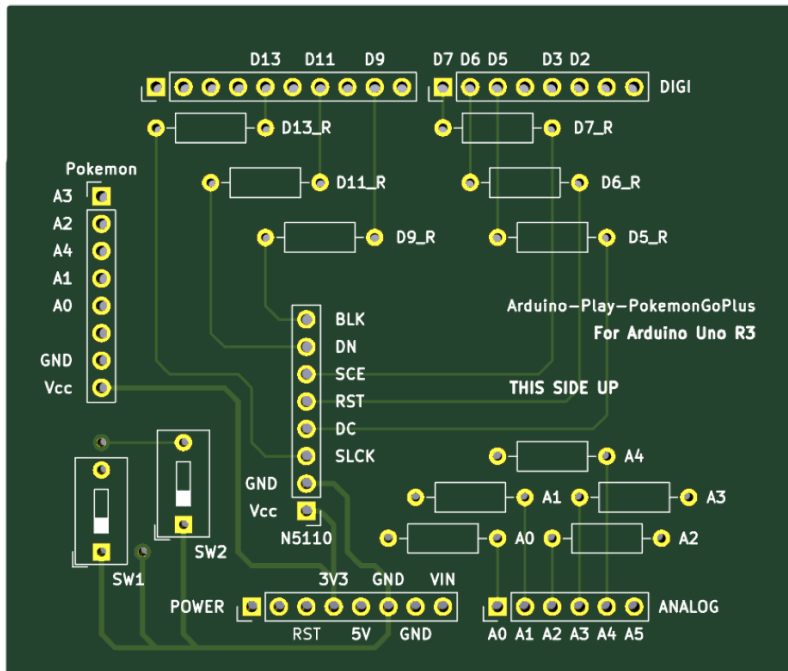
FOR ARDUINO NANO VER 3.X

Bill of Materials ( **Arduino Nano Ver 3.x** )

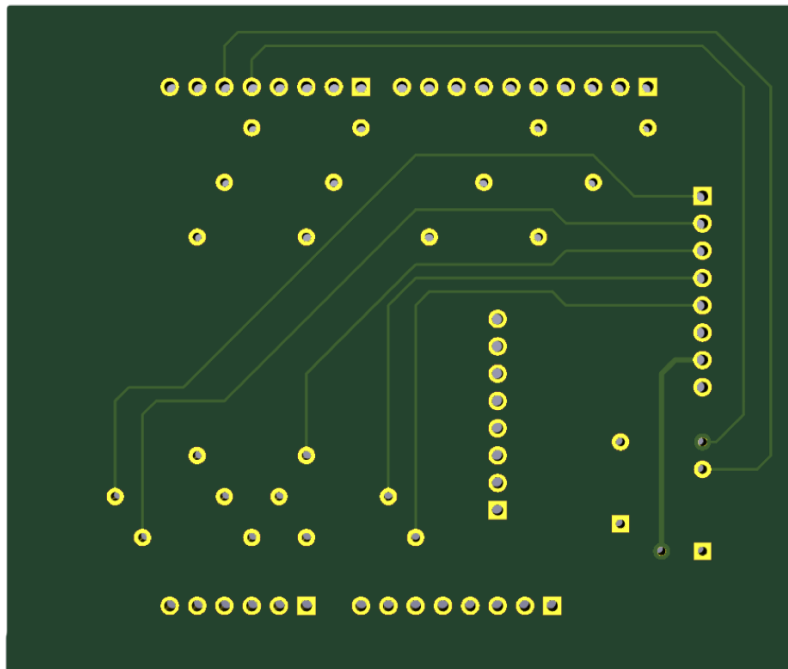
<b>Manufacturer</b>	<b>Manufacturer Number</b>	<b>Description</b>	<b>Amount</b>
	Arduino Nano	Arduino Development Board	<b>1</b>
	Nokia 5110 LCD	Nokia 5110 Graphical Display module	<b>1</b>
	Micro USB Board	Micro USB Breakout Board	<b>1</b>
Vishay	RN60C1001DRE6	Resistor, 1/8W, 1000 Ohm, 5%	<b>11</b>
Panasonic	6SEPC470MW+TSS	470uF, 6.3V, D:6.3mm, F: 2.5mm	<b>1</b>
Panasonic	4SEPC560MW+TSS	560uF, 4V, D: 6.3mm, F:2.5mm	<b>2</b>
C&K	BD01	DIP Switch, SPST, 1 Position	<b>2</b>
	Pin connector, 02x04	Male, 2.54mm	<b>1</b>
	Pin connector, 02x04	Female, 2.54mm	<b>1</b>
	Pin Header, 01x03	Male, 2.54mm, 90°	<b>1</b>
	Pin Header, 01x05	Male, 2.54mm, 90°	<b>1</b>
	Pin Header, 01x08	Male, 2.54mm	<b>2</b>
<b>Total</b>			<b>25</b>

# Arduino Play Pokemon Go Plus

Arduino Uno R3



FOR ARDUINO UNO R3



FOR ARDUINO UNO R3

Bill of Materials ( **Arduino UNO R3** )

<b>Manufacturer</b>	<b>Manufacturer Number</b>	<b>Description</b>	<b>Amount</b>
	Arduino Uno R3	Arduino Development Board	<b>1</b>
	Nokia 5110 LCD	Nokia 5110 Graphical Display module	<b>1</b>
Vishay	RN60C1001DRE6	Resistor, 1/8W, 1000 Ohm, 5%	<b>11</b>
C&K	BD01	DIP Switch, SPST, 1 Position	<b>2</b>
	Pin connector, 02x04	Male, 2.54mm	<b>1</b>
	Pin connector, 02x04	Female, 2.54mm	<b>1</b>
	Pin Header, 01x08	Male, 2.54mm, 90°	<b>1</b>
	Pin Header, 01x06	Male, 2.54mm	<b>1</b>
	Pin Header, 01x08	Male, 2.54mm	<b>3</b>
	Pin Header, 01x10	Male, 2.54mm	<b>1</b>
<b>Total</b>			<b>23</b>