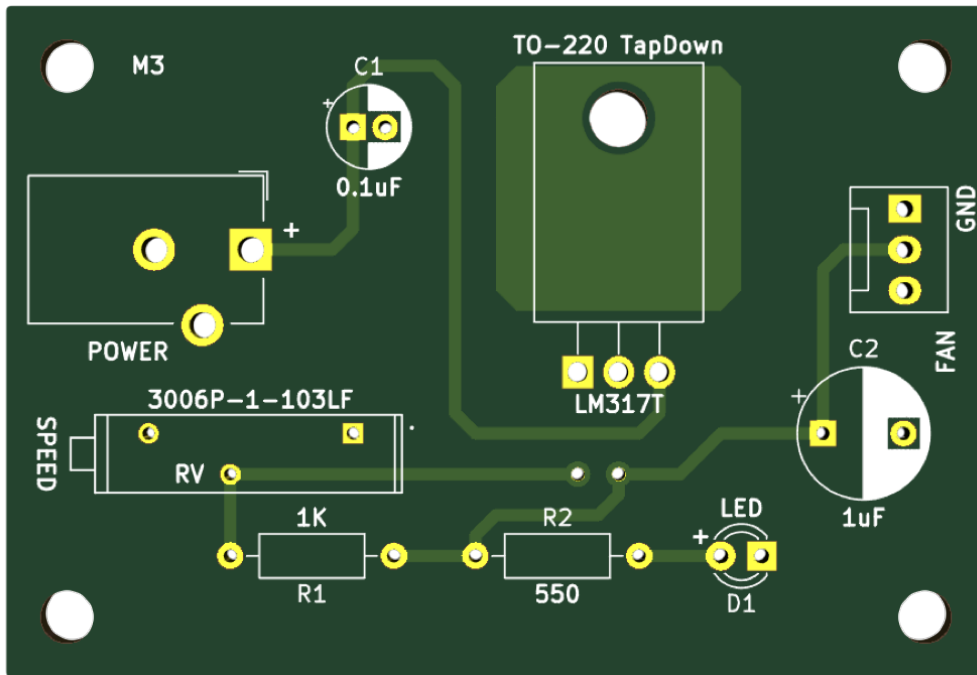
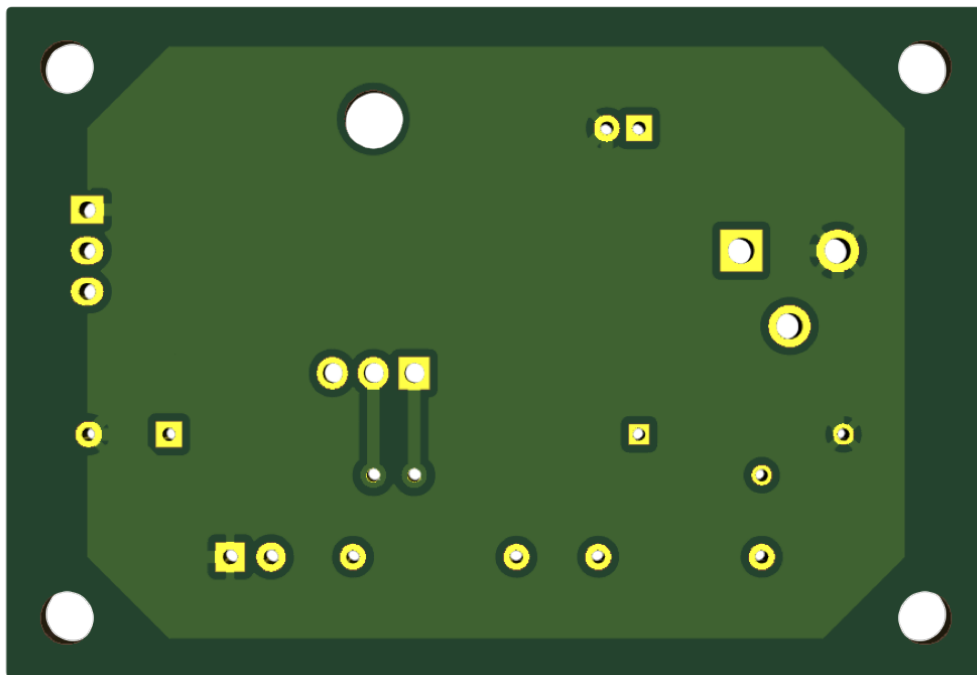


LM317 Fan Speed Controller



PCB FRONT



PCB BACK

Bill of Materials

Manufacturer	Manufacturer Number	Description	Amount
Würth Elektronik	61900311121	WR-WTB, 2.54mm, Male 3Pin Fan Connect	1
CUI Inc.	PJ-102AH	DC Power Jacks, Ø2.0 mm / 5.5mm	1
STMicroelectronics	LM317T	1.2-37V Adj Positive 1.5 Amp Output	1
Aavid	577002B00000G	Heat Sinks, Aluminum, W: 13.208 mm	1
Vishay	RN60C1001DRE6	Resistor, 1/8W, 1000 Ohm, 5%	1
Yageo	MFR-25FTE52-510R	Resistor, 1/4W, 510 Ohm , 1%	1
Bourns	3006P-1-103LF	Potentiometer, 10K Ohm, 10%	1
Nichicon	USA1H010MDD1TE	Capacitor, Axial, 1uF, 50V, F: 5mm	1
Nichicon	UKL1H0R1MDDANA	Capacitor, Axial, 0.1uF, 50V, F: 2mm	1
VCC	LTH3MM12VFR4600	LED, Blue, 12V / 467nm, F: 3mm	1
Total			10