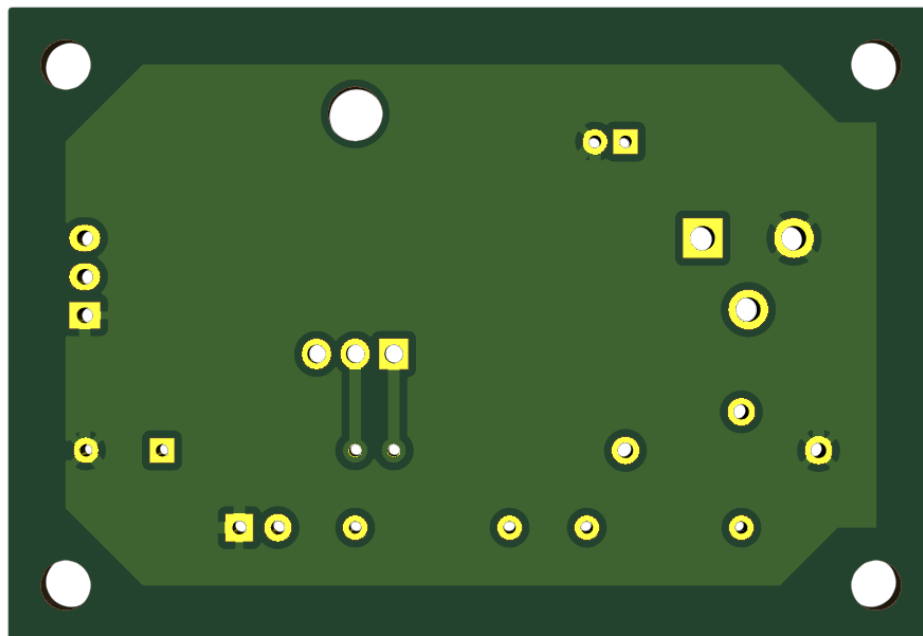
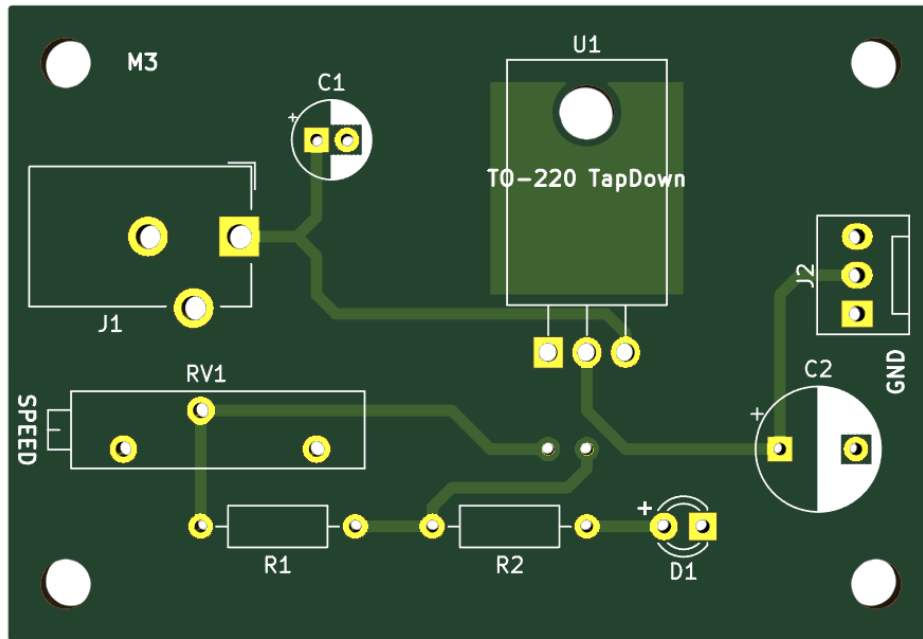


LM317 Fan Speed Controller



Bill of Materials

	Manufacturer	MPN	Description	Amount
J2	Wurth Elektronik	61900311121	2.54mm, Male 3Pin Fan Connect	1
J1	CUI Inc.	PJ-102AH	DC Power Jacks, Ø2.0 mm / 5.5mm	1
U1	STMicroelectronics	LM317T	1.2-37V Adj Positive 1.5 Amp Output	1
U1	Aavid	577002B00000G	Heat Sinks, Aluminum, W: 13.208 mm	1
R1	Vishay	RN60C1001DRE6	Resistor, 1/8W, 1000 Ohm, 5%	1
R2	Yageo	MFR-25FTE52-510R	Resistor, 1/4W, 510 Ohm, 1%	1
RV1	Bourns	3006P-1-103LF	Potentiometer, 10K Ohm, 10%	1
C2	Nichicon	USA1H010MDD1TE	Capacitor, Axial, 1uF, 50V, F: 5mm	1
C1	Nichicon	UKL1H0R1MDDANA	Capacitor, Axial, 0.1uF, 50V, F: 2mm	1
D1	VCC	LTH3MM12VFR4600	LED, Blue, 12V / 467nm, F: 3mm	1
			Total	10