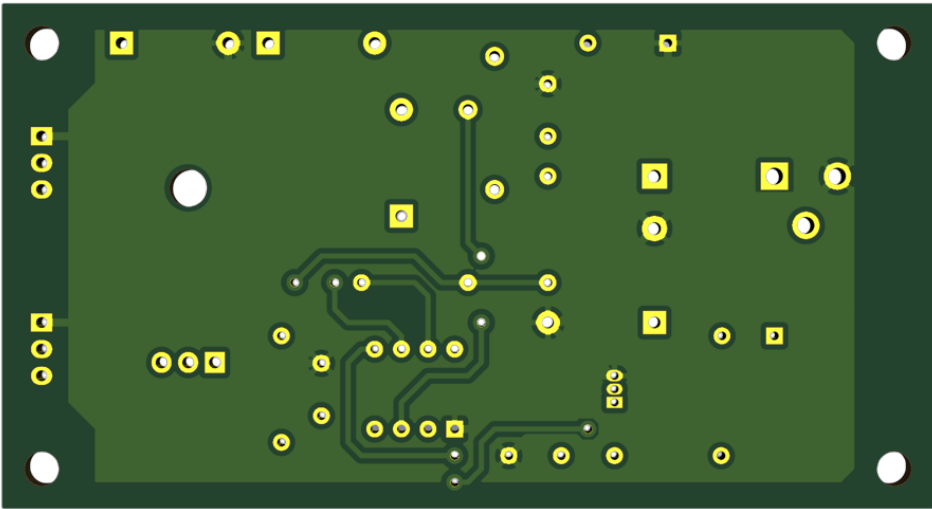
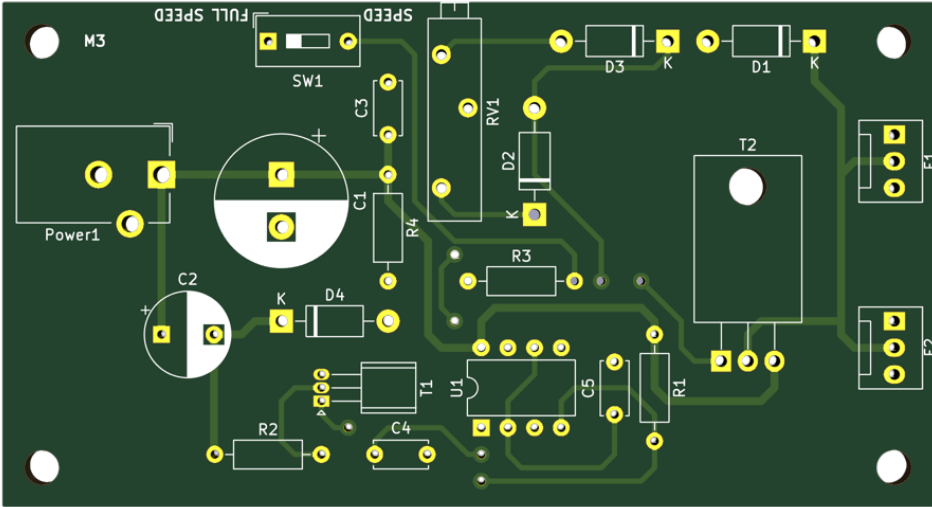


NE555 PWM Fan Speed Controller



Bill of Materials				
	Manufacturer	MPN	Description	Amount
F1, F2	Wurth Elektronik	61900311121	Male 3Pin Fan Connect	2
Power1	CUI Inc.	PJ-102AH	DC Power Jacks, Ø2.0 / 5.5mm	1
T2	STMicroelectronics	TIP127	PNP Power Darlington, TO-220	1
T2	Aavid	577002B00000G	Aluminum Heat Sinks, 13 mm	1
T1	Central Semiconductor	2N3904	Bipolar Transistor	1
U1	Texas Instruments	NE555P	Timer IC, DIP	1
U1	Mill-Max	110-41-308-41-001000	DIP Sockets, 8 Position	1
D2,D3,D4	STMicroelectronics	1N5817	Diode, Vr/20V Io, 1A, L5.2mm	3
D1	Diodes Incorporated	1N4001-T	Diode, Vr/50V Io/1A T/R, L4.7mm	1
R3	Yageo	CFR50SJT-52-1K	1K Ohm, 1/2W, 5%, L: 6.3mm	1
R1	Yageo	MFP-25BRD52-10K	10K Ohm, 1/4W, 0.1%, L: 6.3mm	1
R4	Yageo	CFR-25JT-52-47K	47K Ohm, 1/4W, 5%, L: 6.3mm	1
R2	Yageo	CFR-25JT-52-100K	100K Ohm, 1/4W, 5%, L: 6.3mm	1
RV1	Bourns	3006P-7-104LF	Potentiometer, 100K Ohm, 10%	1
C3,C5	Murata	RDE5C1H104J2K1H03B	Capacitor, MLCC, 0.1 uF/50V	2
C4	Murata	RDER73A103K2K1H03B	Capacitor, MLCC, 0.01 uF, 5mm	1
C2	Panasonic	EEU-FR1H100B	Capacitor, 10uF/50V, Axial 5mm	1
C1	EPCOS / TDK	B41896C6337M000	Capacitor, 330uF, 50V, 5mm	1
SW1	C&K Switches	BD01	DIP/SIP Switch, 1 Position	1
		Total		23